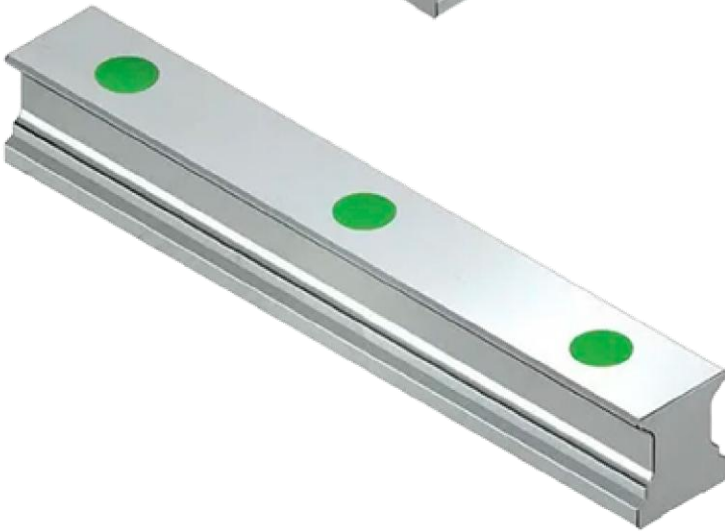




CATÁLOGO RIELES Y BLOQUES HIWIN



HIWIN Riel CGR Serie CG



DIAMETRO
RIEL CGR15mm
RIEL CGR20mm
RIEL CGR25mm
RIEL CGR30mm
RIEL CGR35mm
RIEL CGR45mm

CG	R	25	R	1200	E	P	+	CS
CG Series	Interchangeable Rail	Model size 15, 20, 25, 30, 35, 45	Rail Mounting Type R : Mounting From Top T : Bottom	Rail Length (mm)	E: Special Rail, None: Standard Rail	Precision Code : C, H, P		CS: Cover Strip RC: Reinforced Cap

CARACTERÍSTICAS

Sistema de 4 hileras de bolas recirculantes en disposición "O" (alto momento de carga) para la serie CGR.

Opción de montaje "R" (fijación por arriba) o "T" (fijación por debajo) según la aplicación.

Recubrimientos especiales anti-corrosión disponibles:

HICOAT CZS: capa de zinc muy fina.

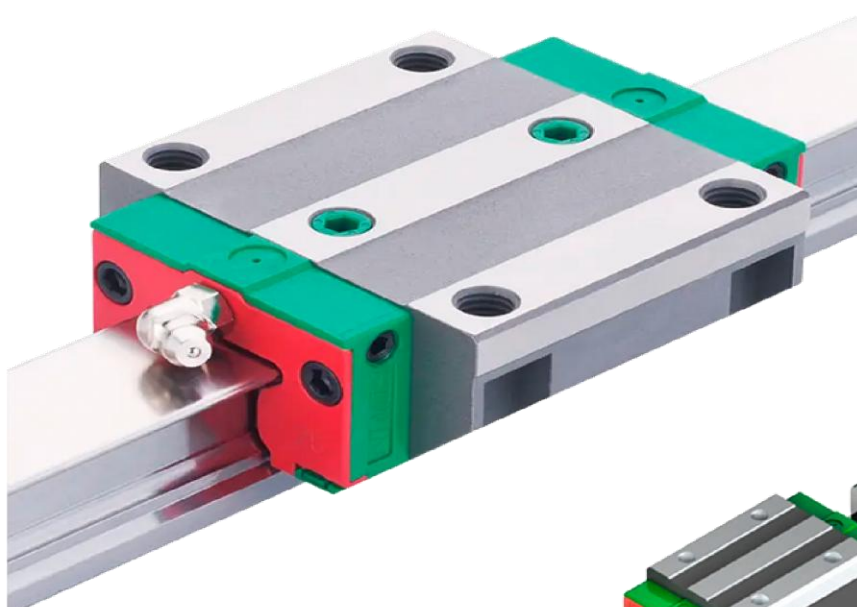
HICOAT CTS: capa de cromo fina, apta para contacto alimentario y sin Cr(VI).

Longitudes máximas de fabricación de hasta ~4 000 mm en los modelos estándar.

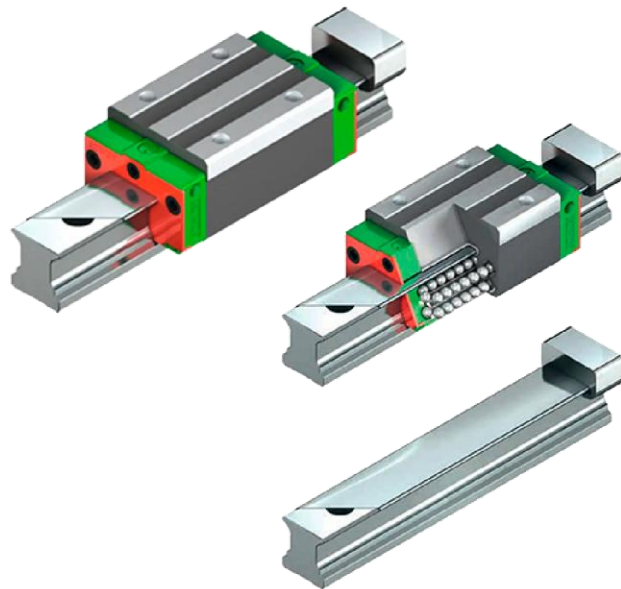




HIWIN Bloque Serie CG



DIAMETRO
BLOQUE CGW15CC
BLOQUE CGH15CA
BLOQUE CGW20CC
BLOQUE CGH20CA
BLOQUE CGW25CC
BLOQUE CGH25CA
BLOQUE CGW30HC
BLOQUE CGW35CC
BLOQUE CGW45CC



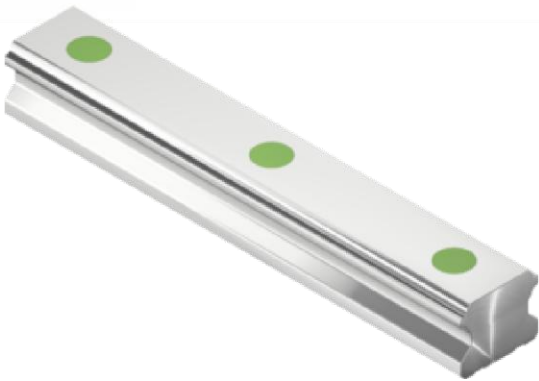
CG H 25 C A E ZA P + DD

CG Series
 Block Type
 W : Flange Type
 H : Square Type
 L : Square Type(low)⁴
 Model size
 15, 20, 25, 30, 35, 45
 Load Type
 C : Heavy Load
 H : Super Heavy Load

Dust Protection²
 Precision Code : C, H, P
 Preload Code : Z0, ZA
 E: Special Block
 None: Standard Block
 Block Mounting Type
 A : Mounting From Top
 C : Top or Bottom



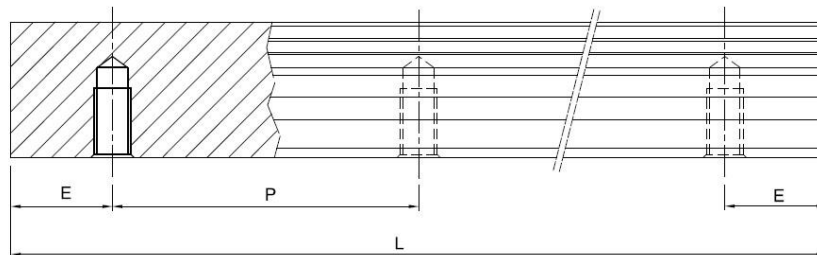
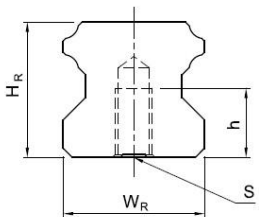
HIWIN Riel EGR Serie EG



DIAMETRO
<i>Riel EGR15mm</i>
<i>Riel EGR20mm</i>
<i>Riel EGR25mm</i>

EG R 25 R 1600 E P + RC

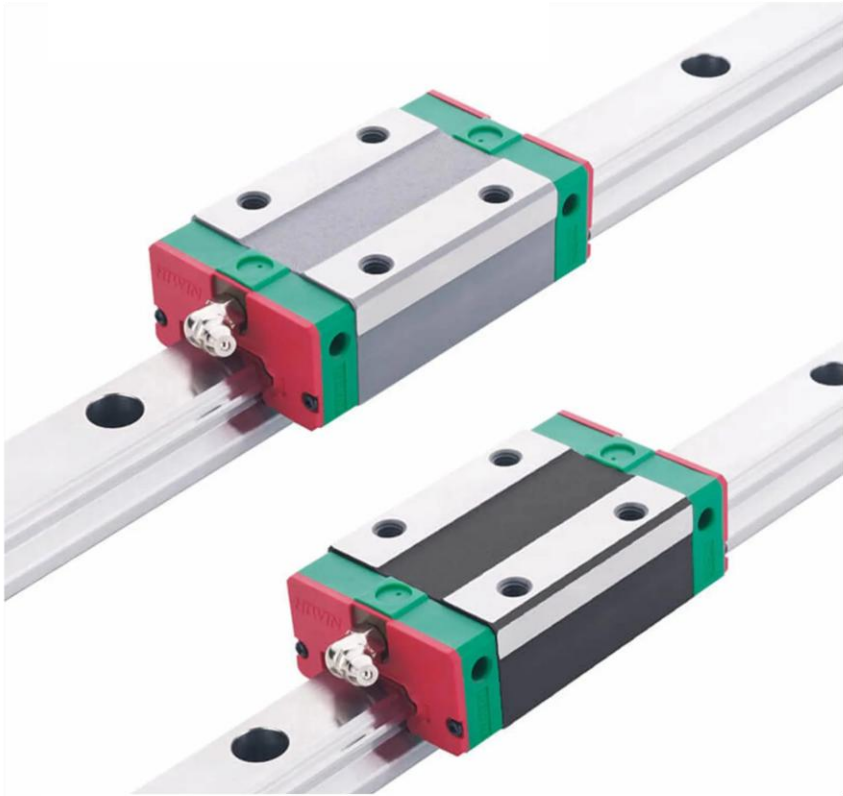
- EG Series
- Interchangeable Rail
- Model size
15, 20, 25, 30, 35
- Rail Mounting Type
R/U : Mounting From Top
T : Bottom
- RC: Reinforced Cap
- Precision Code : C, H, P
- E: Special Rail,
None: Standard Rail
- Rail Length (mm)





HIWIN Bloque Serie EG

DIAMETRO
Bloque EGH15CA
Bloque EGH20CA
Bloque EGW20SC
Bloque EGH30CA
Bloque EGH35



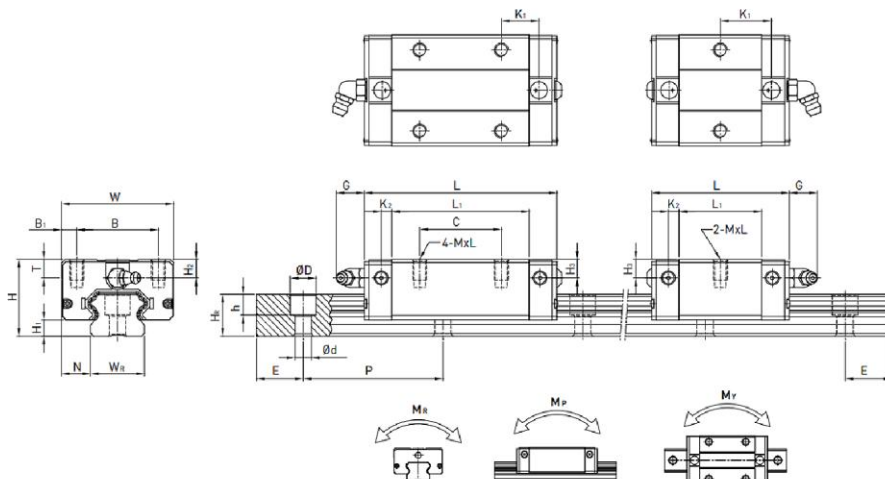
EG W 25 C A E ZA P + DD/E2

EG Series
 Block Type
 W : Flange Type
 H : Square Type
 Model size
 15, 20, 25, 30, 35
 Load Type
 C : Heavy Load
 S : Medium Load

E2: Self-Lubricant
 SE: Metallic End Cap
 Dust Protection²
 Precision Code : C, H, P
 Preload Code : Z0, ZA
 E: Special Block
 None: Standard block
 Block Mounting Type
 A : Mounting From Top
 : Bottom

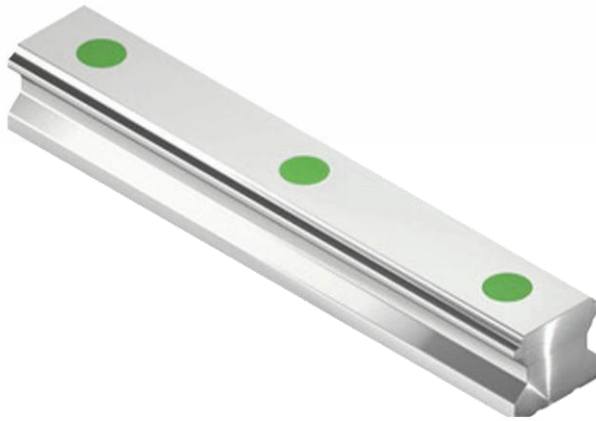
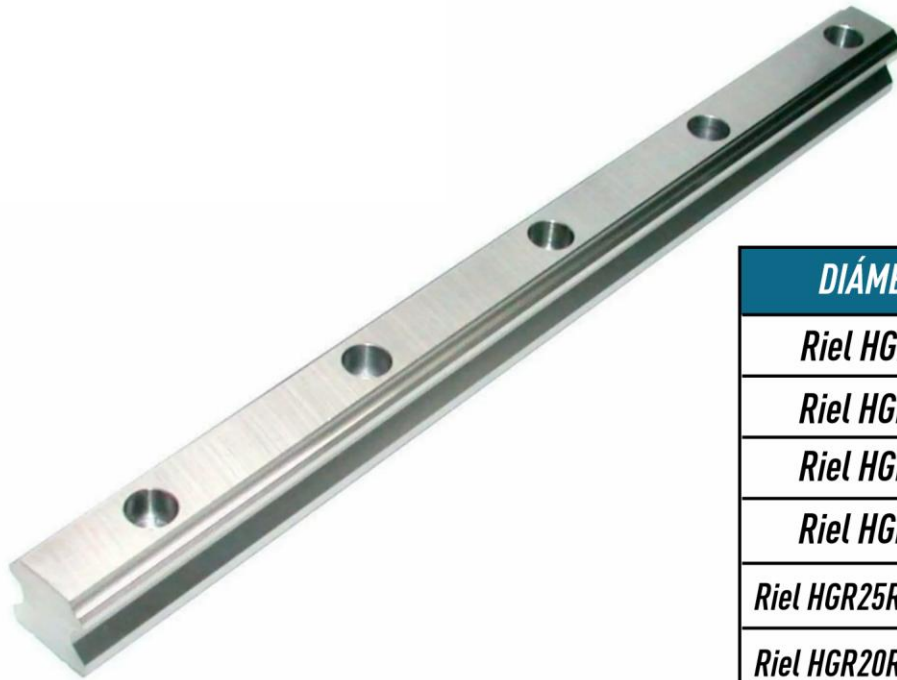
EGH-CA

EGH-SA





HIWIN Riel HGR Serie HG



DIÁMETRO
<i>Riel HGR15R</i>
<i>Riel HGR20R</i>
<i>Riel HGR25R</i>
<i>Riel HGR35R</i>
<i>Riel HGR25R HICOATING</i>
<i>Riel HGR20R HICOATING</i>

HG R 25 R 1600 E P + RC

HG Series

Interchangeable Rail

Model size

15, 20, 25, 30, 35, 45, 55, 65

Rail Mounting Type

R : Mounting From Top

T : Bottom

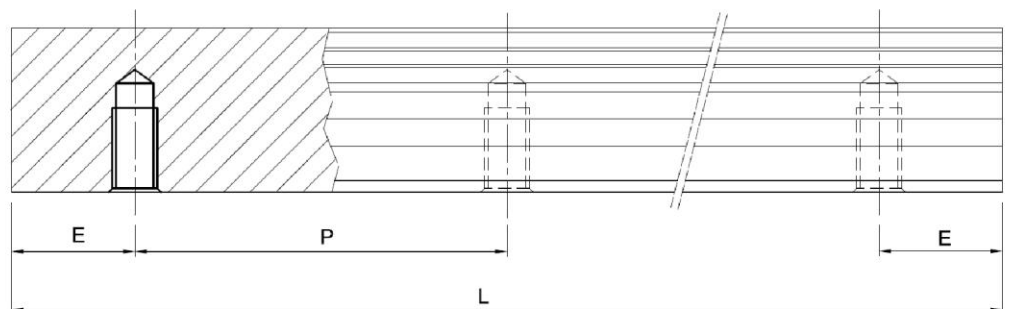
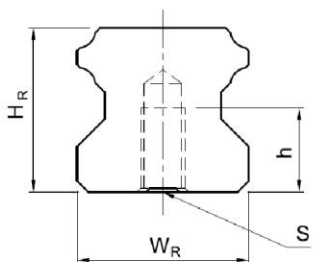
RC:Reinforced Cap

Precision Code : C, H, P

E: Special Rail,

None: Standard Rail

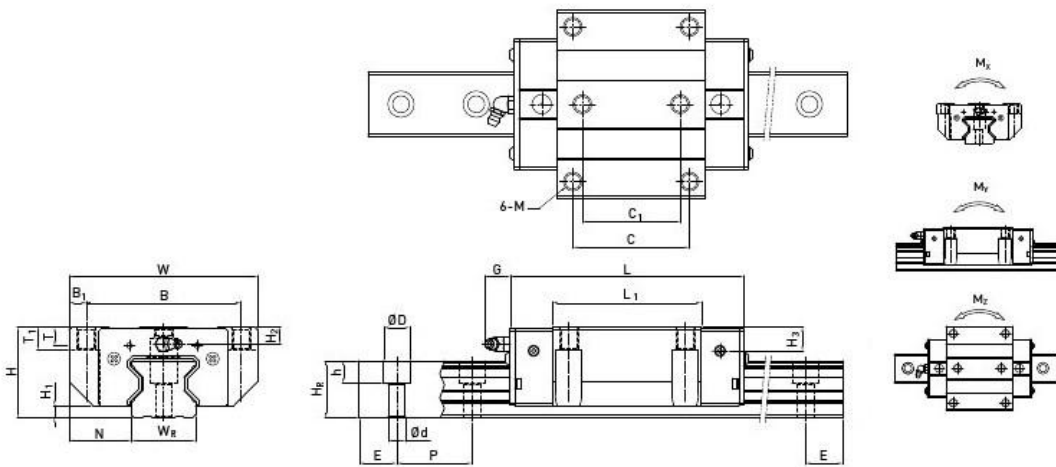
Rail Length (mm)

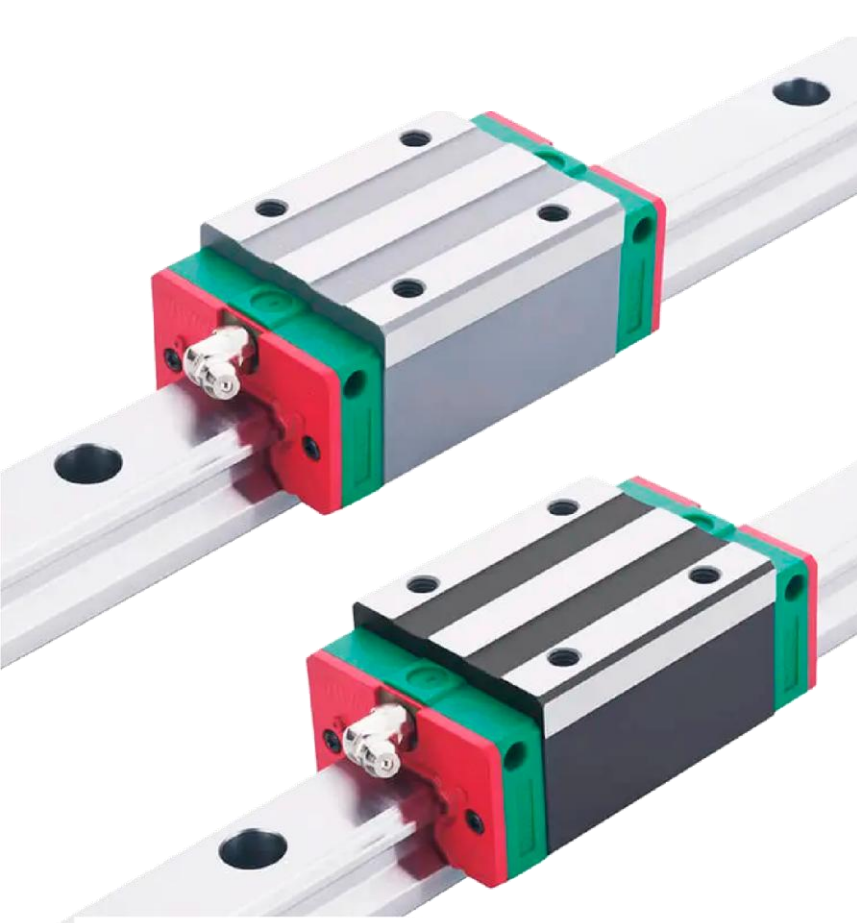




HIWIN Riel HGR Serie HG

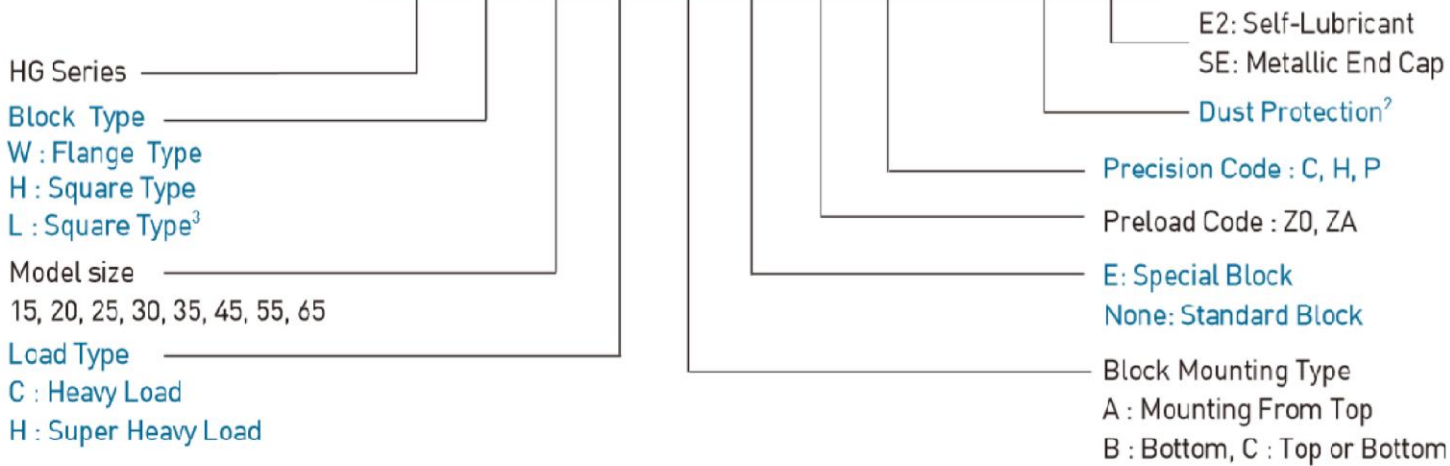
MODEL	WR	HR	D	H	D	P	E	PERNOS PARA MONTAJE(MM)	RAIL(KG/M)
HGR15	15	15	7.5	5.3	4.5	60	20	M4x16	1.45
HGR20	20	17.5	9.5	8.5	6	60	20	M5x16	2.21
HGR25	23	22	11	9	7	60	20	M6x20	3.21
HGR30	28	26	14	12	9	80	20	M8x25	4.47
HGR35	34	29	14	12	9	80	20	M8x25	6.3



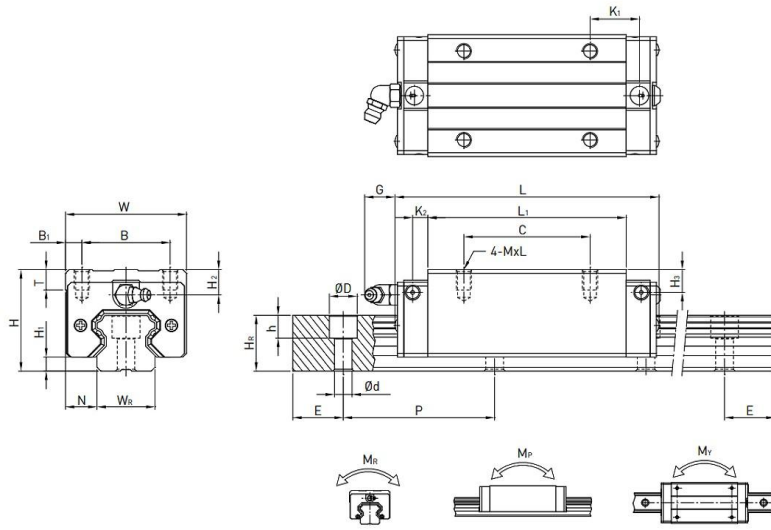


CARACTERÍSTICAS
<i>Bloque HGH15CA</i>
<i>Bloque HGW15CC</i>
<i>Bloque HGH20CA</i>
<i>Bloque HGW20CC</i>

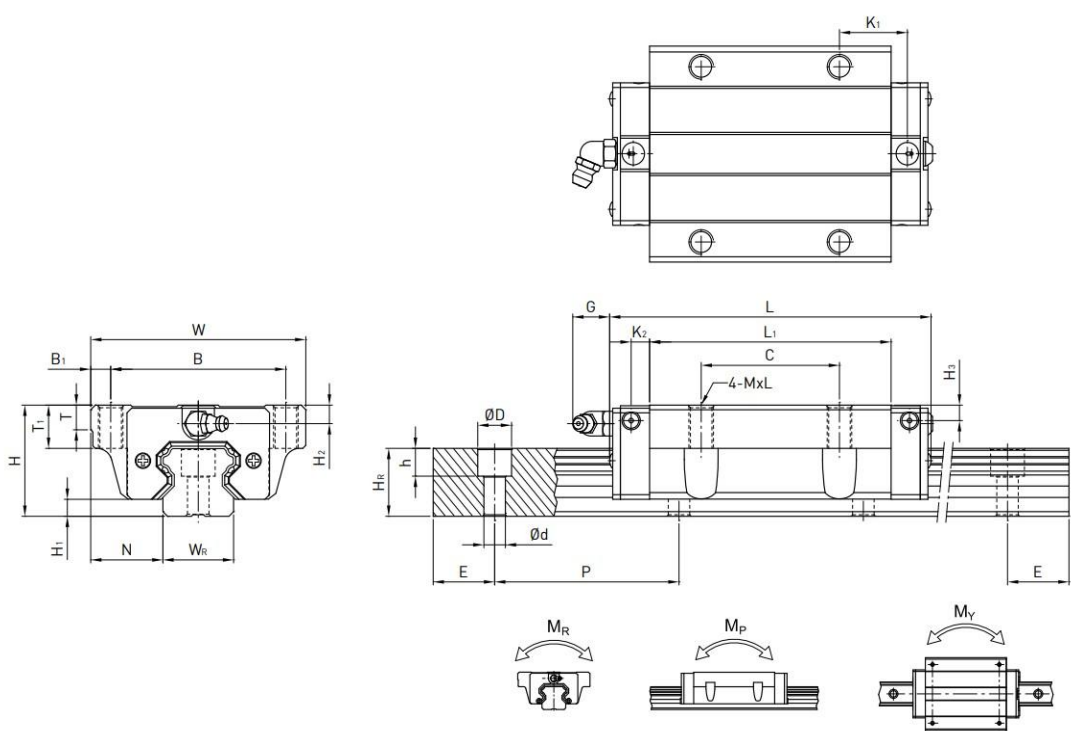
HG W 25 C A E Z A P + DD/E2



MODEL	H	H1	N	W	B	B1	C	L1	L	K1	K2	G	M	T	T1	T2	H2	H3	WR
HGW15CC	24	4.3	16	47	38	4.5	30	39.4	61.4	8	4.85	5.3	M5	6	8.9	6.95	3.95	3.7	15
HGW20CC	30	4.6	21.5	63	53	5	40	50.5	77.5	10.25	6	12	M6	8	10	9.5	6	6	20
HGW25CC	36	5.5	23.5	70	57	6.5	45	58	84	10.7	6	12	M8	8	14	10	6	5	23
HGW30CC	42	6	31	90	72	9	52	70	97.4	14.25	6	12	M10	8.5	16	10	6.5	10.8	28
HGW35CC	48	7.5	33	100	82	9	62	80	112.4	14.6	7	12	M10	10.1	18	13	9	12.6	34



MODEL	H	H1	N	W	B	B1	C	L1	L	K1	K2	G	MXL	T	H2	H3	WR	HR	D
HGH15CA	28	4.3	9.5	34	26	4	26	39.4	61.4	10	4.85	5.3	M4x5	6	7.95	7.7	15	15	7.5
HGH20CA	30	4.6	12	44	32	6	36	50.5	77.5	12.25	6	12	M5x6	8	6	6	20	17.5	9.5
HGH20HA	30	4.6	12	44	32	6	50	65.2	92.2	12.6	6	12	M5x6	8	6	6	20	17.5	9.5
HGH25CA	40	5.5	12.5	48	35	6.5	35	58	84	15.7	6	12	M6x8	8	10	9	23	22	11
HGH30CA	45	6	16	60	40	10	40	70	97.4	20.25	6	12	M8x10	8.5	9.5	13.8	28	26	14
HGH35CA	55	7.5	18	70	50	10	50	80	112.4	20.6	7	12	M8x12	10.2	16	19.6	34	29	14
HGH45CA	70	9.5	20.5	86	60	13	60	97	139.4	23	10	12.9	M10x17	16	18.5	30.5	45	38	20





DIÁMETRO

**Riel miniatura
MGN12**

**Riel miniatura
MGN15**



MGN R 12 R1000 E P M + RC

MGN / MGW Series

Interchangeable Rail

Model Size :
5, 7, 9, 12, 14, 15

Rail Length (mm)

RC: Reinforced Cap
(Optional For MGN12,15)

Material:
No symbol (Carbon Steel)
M (Stainless Steel)
HC (Carbon Steel+Hard Chrome Treatment)
NC (Carbon Steel+hicoating)

Precision Code : C, H, P

Rail Special Option

MODEL	WR	HR	D	H	D	P	E	PERNOS DE MONTAJE (MM)	RAIL(KG/M)
MGNR9	9	6.5	6	3.5	3.5	20	7.5	M3x8	0.38
MGNR12	12	8	6	4.5	3.5	25	10	M3x8	0.65
MGNR15	15	10	6	4.5	3.5	40	15	M3x10	1.06



SOLINDEC

Soluciones Industriales EC